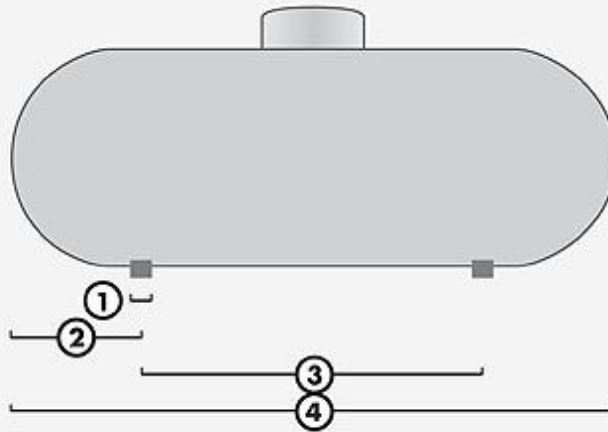


Tank Specifications

Height from Top of Tank to Dome Top

AG	7.50
AG/UG	10.75
AG/UG Long	14.75
UG (SNR)	14.75
UG (LNR)	26.75



Tank Size (in gallons)	120	150	250	320	475	500	1000
Dimensions	24x67	24x82	30x92	30x114	37x113	37x120	41x190
Approximate Weight (in pounds)	260	380	480	620	920	940	1800
Shell Thickness	0.140	0.140	0.175	0.175	0.218	0.218	0.238
Head Thickness	0.138	0.138	0.148	0.148	0.184	0.184	0.201
① Leg Width	2.5	2.5	2.5	2.5	3	3	3
② Leg Distance from Edge of Shell	6.5	2.75	1.75	6	4	4	4
③ Leg Distance from Center to Center	34.5	59	60	60	60	60	141.5
④ Shell Width	50	67	64	87	75	81	149

All dimensions are in inches unless otherwise noted. Dimensions may vary +/- 1".



Above Ground Tanks



Above Ground / Under Ground Tanks



Under Ground Tanks