

▶ GRAVITYWALLFURNACE



- State-of-the-art technology for higher fuel efficiency
- Common size retrofits easily
- GWT-25/35 furnace recesses into wall or mounts flush with optional GWTW-2
- Total comfort for a fraction of the cost of electric heat
- Optional wall or built-in thermostats require no electricity
- Heat two rooms with dual wall unit GWT-50
- Optional blower available

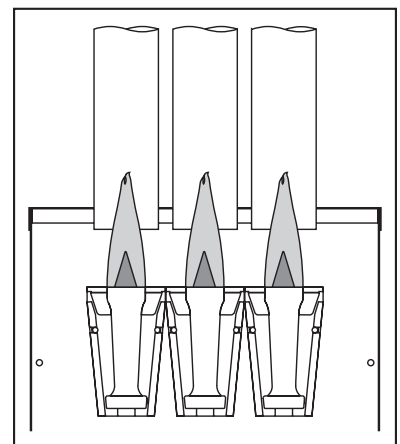




GREEN HEATING *with Gas*

According to the US Environmental Protection Agency, heating with any gas appliance generates far less particulate pollution compared to heating with any other common fuel. The worst polluter, a wood fireplace, generates 28 pounds of particulates (measuring 2.5 microns or more) for every million Btu of fuel you put in. Heating with gas generates a tiny fraction of that (just 0.0083 pound) for every million Btu input. Compared to an EPA-certified wood stove, gas heat still generates less than 1 percent of the particulate pollution. And gas produces less than 2 percent of the pollution emitted by a pellet stove.

The Gravity Wall Furnace features in-shot burners that light instantly, and burn cleanly and quietly.



▲ Inshot Burner & Tubular Heat Exchanger

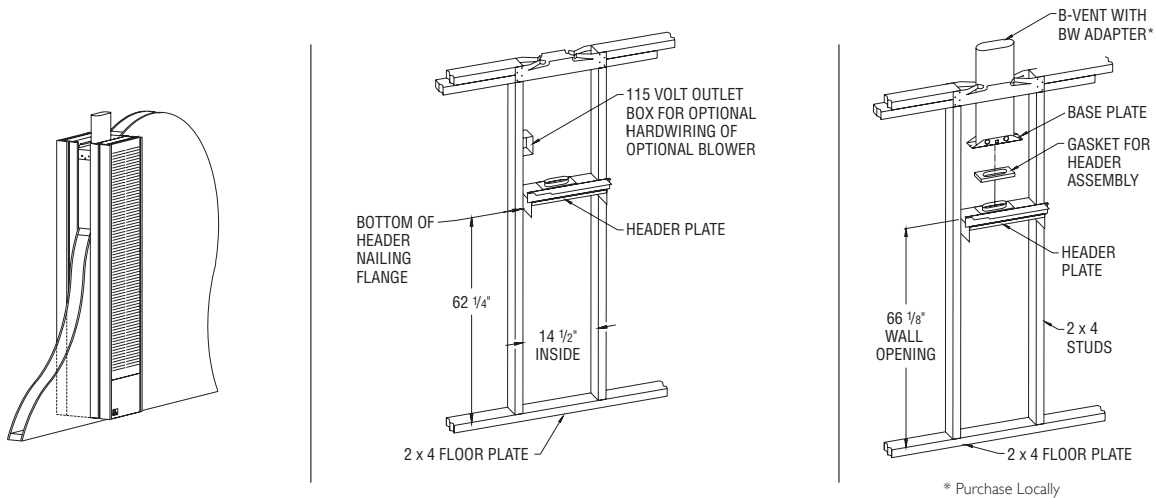
INSTALLATION *applications*

The Gravity Wall Furnace is designed for installation in a standard 2 x 4 stud wall cavity. For installation on a solid wall, the optional Out of Wall Kit (GWTW-2) allows surface mounting and encloses the sides of the heater.

The 50,000 Btu GWT-50 installs in the wall between two adjoining rooms and is designed to heat both.

For the smaller GWT-25 and GWT-35 heater, an optional Rear Register Kit (GWTR-1) directs part of the heat to an adjoining room.

Refer to the owner's manual for complete installation instruction – available for download at www.empirecomfort.com.



NOTE ON *Heater Installation*

Header is provided with furnace. However, if it is desired to finish the wall before the furnace is delivered, the header may be ordered and installed prior to installation of the furnace.

Note: Construction deeper than standard (2x4 stud) may create installation problem. Contact Empire for additional information. GWT-50 will not work on walls with deeper than 2x4 construction.

CHOOSE *a Control System*

A thermostat is required to operate the Gravity Wall Furnace and must be purchased separately.

The three most popular include the GWRB-T Bulb Thermostat that mounts on the front or side of the heater; the TMV Wall Thermostat that mounts away from the heater and connects with two-strand wire; and the TRV wireless thermostat.

The optional blower mounts above the heater and cycles on automatically to enhance air circulation.



▲ GWTB-2 Blower



▲ TMV Wall Thermostat



▲ GWRB-T Remote Bulb Thermostat

Model	GWT-25	GWT-35	GWT-50 (Dual Wall)
Color: Cabinet and Front Panel	Beige	Beige	Beige
Btu Input	25,000	35,000	50,000 (Total) 25,000 (Each Room)
Overall Dimensions (unit mounts between standard spacing)			
Width	16"	16"	16"
Depth	6"	6"	6"
Height	66 1/8"	66 1/8"	66 1/8"
Height with Optional Blower Kit	71 7/8"	71 7/8"	71 7/8"
Shipping Weight, lb. (One Carton)	86	86	133
Accessories (State on Order)			
Wireless Remote Wall Thermostat	TRW	TRW	TRW
750 mv Wall Thermostat (Reed Switch)	TMV	TMV	TMV
Remote Bulb Thermostat	GWRB-T	GWRB-T	GWRB-T
Blower Kit	GWTB-2	GWTB-2	GWTB-2†
Output, Cu. Ft./Min.	75	75	75
Rear Register Kit	GWTR-I	GWTR-I	N/A
Out-of-the-Wall Installation Kit	GWTW-2**	GWTW-2**	N/A
Minimum Clearances to Combustibles from:			
Top	12"	12"	12"
Each Side	4"	4"	4"
Bottom of Unit to Floor Covering	1 1/2"	1 1/2"	1 1/2"
Gas Inlet			
Type of Gas (State on Order)	Natural or LP	Natural or LP	Natural or LP
Iron Pipe Size (N.P.T.)	1/2"	1/2"	1/2"
Safety Control			
Pilot and Main Burners include Automatic Shut-off.			
Warranty			
Combustion Chamber carries a 10-year warranty. All other parts carry a 1-year limited warranty.			
Note: Empire has a policy of constantly improving quality and performance of its appliances, therefore, materials and specifications are subject to change without notice.			
Note: Units do not come with thermostats.			
† One blower may be purchased for each side.			
** When the GWTW-2 Out-of-the-Wall kit is used, the GWTR-I Rear Register kit cannot be used.			

FOR YOUR SAFETY

Due to high temperatures, the appliance should be located out of traffic and away from furniture and draperies.

Children and adults should be alerted to the hazard of high surface temperature and should be kept away to avoid burns or clothing ignition.

Installation and repair should be done by a qualified service person.

This series is design certified in accordance with American National Standards Institute Z21.86 (latest standard) and CSA2.32-(latest standard) by the Canadian Standards Association, as a Vented Wall Furnace.

The installation must conform to local codes. In the absence of local codes, the installation must conform with American National Standard (National Fuel Gas Code) known as NFPA 54 and ANSI Z223.1 (latest edition) available from the American National Standards Institute, Inc., 11 West 42nd St., New York, N.Y. 10036, or from the National Fire Protection Assoc., Batterymarch Park, Quincy, Massachusetts 02269.

Read your Owner's Manual for complete installation and safety information

Note: A vent safety switch is standard on all models, automatically shutting off the heater in the event of a blocked flue or incorrect installation. (Example: Attaching a 90° elbow directly to the draft diverter is an incorrect installation.) The flue pipe diameter must be as large as the flue collar on the draft diverter and run as directly as possible to the chimney with a minimum of elbows. Any flue pipe passing through walls and roof must be "B" Type vent. The chimney must extend at least two feet above the roof and any object or building within ten feet of the chimney.



SINCE 1932

Empire Comfort Systems
918 Freeburg Ave.
Belleville, IL 62220-2623
E-mail: info@empirecomfort.com

